

APPROVALS



ENGINEERING CODE
647AM5603AA

APPROVED REFRIGERANT
R452A

POWER SUPPLY
380 - 420V 50Hz ~

STANDARD CONDITIONS
EN13215_RG20

APPLICATION
LBP

COOLING CAPACITY
853 W

EFFICIENCY
1.18 W/W

DATA

General Data

| | |
|--------------|-------------------|
| Weight | 38.2 Kg |
| Receiver | 2.3 L |
| Height | 324 mm |
| Length | 481 mm |
| Width | 410 mm |
| Power Supply | 380 - 420 V 50 Hz |

Electrical Data

| | |
|-----------------------------|--------|
| Motor Type | 3PH |
| Locked Rotor Amperage (LRA) | 13 A |
| Max Current | 2.38 A |

Spare Parts

| | | |
|-----------------|------------------|-------------|
| Condenser | 3R12T | 2451140 |
| Valve Discharge | SOLDER 3/8" | 2110049 |
| Valve Suction | SOLDER 5/8" | 2110054 |
| Compressor | NJ2212GS | 947AM19..AC |
| Fan Kit | 34W/400V 275/31° | 1996582 |

Noise Data

| | | | |
|-----------------------------|---------------|---------------|----------------|
| Sound Power Level | 71.5 dB (A) | - | - |
| Sound Pressure Level | at 1 m | at 5 m | at 10 m |
| | 63.5 dB (A) | 49.6 dB (A) | 43.5 dB (A) |

Fan Motor

| | |
|-----------------------|-----------------------|
| Number | 1 |
| Shaft Power | 34 W |
| Air Flow | 800 m ³ /h |
| Blade diameter | 275 mm |

PERFORMANCE

Rated Points

| Ambient Temperature | Cooling Capacity | Power Consumption | Current | Efficiency |
|---------------------|------------------|-------------------|---------|------------|
| 32.00°C | 853 W | 722 W | 1.88 A | 1.18 W/W |

Test Condition: EN13215_RG20, Return Gas 20 °C, Subcooling 3K , Evaporation -35.00°C, Condensing 0 °C, Ambient 32.00°C

Performance Curve Data

Ambient Temperature 25°C

| Evaporating Temperature °C | Cooling Capacity W | Power Consumption W | Current A | Efficiency W/W |
|----------------------------|--------------------|---------------------|-----------|----------------|
| -40 | 647 | 577 | 1.75 | 1.12 |
| -35 | 928 | 721 | 1.87 | 1.29 |
| -30 | 1218 | 869 | 2.02 | 1.4 |
| -25 | 1511 | 1024 | 2.19 | 1.48 |
| -20 | 1801 | 1189 | 2.4 | 1.51 |
| -15 | 2083 | 1367 | 2.64 | 1.52 |
| -10 | 2352 | 1560 | 2.92 | 1.51 |

Test Condition: EN13215_RG20, LBP

Ambient Temperature 32°C

| Evaporating Temperature °C | Cooling Capacity W | Power Consumption W | Current A | Efficiency W/W |
|----------------------------|--------------------|---------------------|-----------|----------------|
| -40 | 650 | 565 | 1.74 | 1.15 |
| -35 | 853 | 722 | 1.88 | 1.18 |
| -30 | 1070 | 887 | 2.05 | 1.21 |
| -25 | 1295 | 1062 | 2.25 | 1.22 |
| -20 | 1524 | 1250 | 2.48 | 1.22 |
| -15 | 1750 | 1453 | 2.75 | 1.2 |
| -10 | 1969 | 1676 | 3.06 | 1.17 |

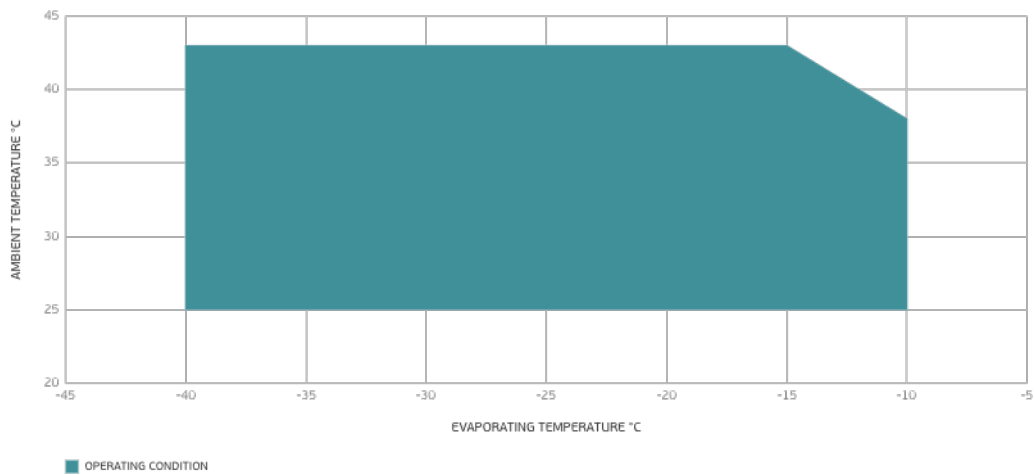
Test Condition: EN13215_RG20, LBP

Ambient Temperature 43°C

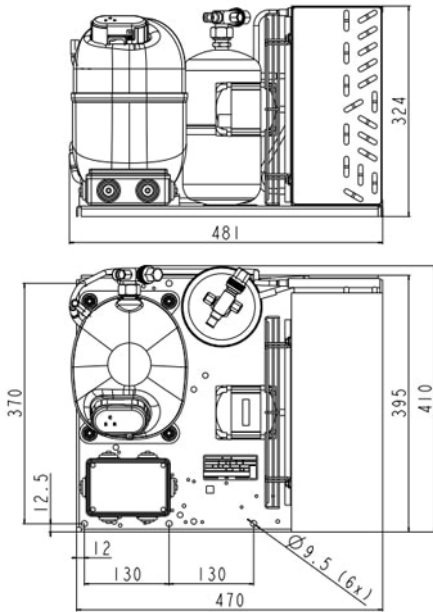
| Evaporating Temperature °C | Cooling Capacity W | Power Consumption W | Current A | Efficiency W/W |
|----------------------------|--------------------|---------------------|-----------|----------------|
| -40 | 374 | 550 | 1.73 | 0.68 |
| -35 | 562 | 693 | 1.85 | 0.81 |
| -30 | 774 | 848 | 2.01 | 0.91 |
| -25 | 1003 | 1018 | 2.21 | 0.99 |
| -20 | 1245 | 1206 | 2.44 | 1.03 |
| -15 | 1493 | 1416 | 2.72 | 1.06 |
| -10 | 1743 | 1648 | 3.04 | 1.06 |

Test Condition: EN13215_RG20, LBP

Operating Envelope



External Dimensions



Wiring Diagram

