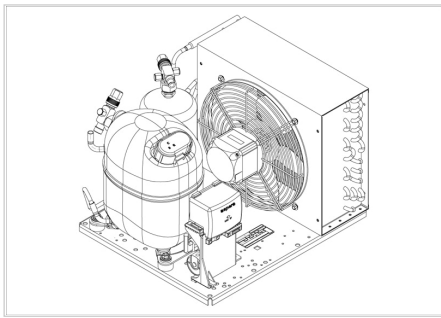


MODEL

UNJ2212GK

embraco





APPROVALS




 **ENGINEERING CODE**
643TA5604AA

 **APPROVED REFRIGERANT**
R452A

 **POWER SUPPLY**
220 - 240V 50Hz ~

 **STANDARD CONDITIONS**
EN13215_RG20

 **APPLICATION**
LBP

 **COOLING CAPACITY**
830 W

 **EFFICIENCY**
1.02 W/W

DATA

General Data

Weight	38.3 Kg
Receiver	2.3 L
Height	324 mm
Length	481 mm
Width	410 mm
Power Supply	220 - 240 V 50 Hz

Electrical Data

Motor Type	CSR
Locked Rotor Amperage (LRA)	36 A
Max Current	6.5 A

Spare Parts

Condenser	3R12T	2451140
Valve Discharge	SOLDER 3/8"	2110049
Valve Suction	SOLDER 5/8"	2110054
Compressor	NJ2212GK	943DA19..AC
Electrical Kit	ELKOM NJ2212GK	943DA1904A
Fan Kit	34W 275/31°/5B	1996583

Noise Data

Sound Power Level	71.3 dB (A)	-	-
Sound Pressure Level	at 1 m	at 5 m	at 10 m
	63.30327879 dB (A)	49.3238787 dB (A)	43.30327879 dB (A)

Fan Motor

Number	1
Shaft Power	34 W
Air Flow	800 m³/h
Blade diameter	275 mm

PERFORMANCE

Rated Points

Ambient Temperature	Cooling Capacity	Power Consumption	Current	Efficiency
32.00°C	830 W	813 W	4.54 A	1.02 W/W

Test Condition: EN13215_RG20, Return Gas 20 °C, Subcooling 3K , Evaporation -35.00°C, Condensing 0 °C, Ambient 32.00°C

Performance Curve Data

Ambient Temperature 25°C

Evaporating Temperature °C	Cooling Capacity W	Power Consumption W	Current A	Efficiency W/W
-40	733	741	4.25	0.99
-35	995	852	4.68	1.17
-30	1278	978	5.2	1.31
-25	1581	1122	5.83	1.41
-20	1902	1290	6.57	1.47
-15	2239	1483	7.44	1.51
-10	2592	1707	8.43	1.52

Test Condition: EN13215_RG20, LBP

Ambient Temperature 32°C

Evaporating Temperature °C	Cooling Capacity W	Power Consumption W	Current A	Efficiency W/W
-40	606	676	4.04	0.9
-35	830	813	4.54	1.02
-30	1077	966	5.14	1.11
-25	1343	1139	5.86	1.18
-20	1628	1336	6.69	1.22
-15	1929	1561	7.65	1.24
-10	2246	1817	8.75	1.24

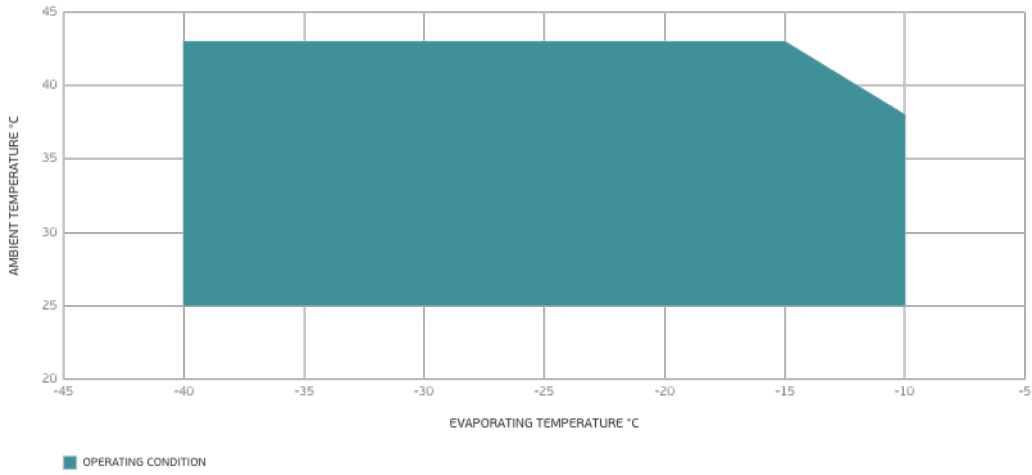
Test Condition: EN13215_RG20, LBP

Ambient Temperature 43°C

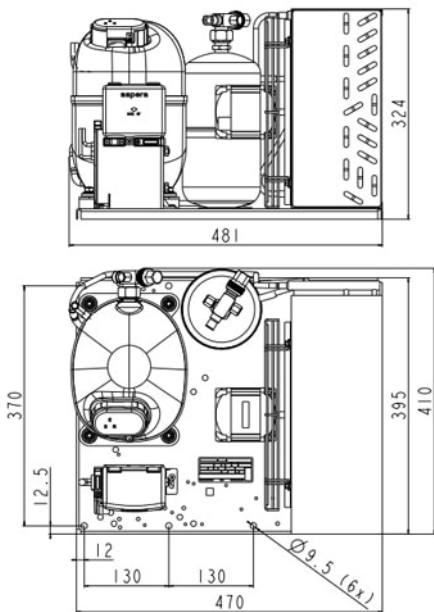
Evaporating Temperature °C	Cooling Capacity W	Power Consumption W	Current A	Efficiency W/W
-40	409	696	4.06	0.59
-35	613	830	4.58	0.74
-30	838	982	5.21	0.85
-25	1084	1156	5.96	0.94
-20	1349	1355	6.84	1
-15	1631	1585	7.86	1.03
-10	1929	1847	9.02	1.04

Test Condition: EN13215_RG20, LBP

Operating Envelope



External Dimensions



Wiring Diagram

