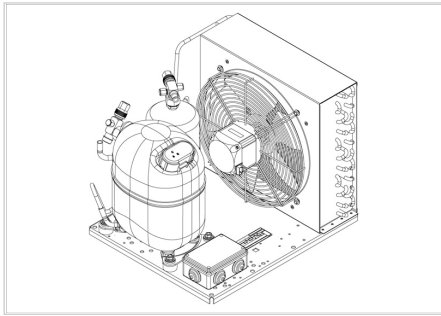


MODEL

UNJ9226GS

embraco



APPROVALS

CE

ENGINEERING CODE
648LM5603AA

APPROVED REFRIGERANT
R449A

POWER SUPPLY
380 - 420V 50Hz ~

STANDARD CONDITIONS
EN13215_RG20

APPLICATION
M/HBP

COOLING CAPACITY
1561 W

EFFICIENCY
1.73 W/W

DATA

General Data

Weight	36.9 Kg
Receiver	2.3 L
Height	372 mm
Length	481 mm
Width	410 mm
Power Supply	380 - 420 V 50 Hz

Electrical Data

Motor Type	3PH
Locked Rotor Amperage (LRA)	10 A
Max Current	2.78 A

Spare Parts

Valve Discharge	SOLDER 3/8"	2110049
Valve Suction	SOLDER 5/8"	2110054
Condenser	3R14T	2451221
Compressor	NJ9226GS	948LM19..AC
Fan Kit	34W/400V 300/28°/5B	1996586

Noise Data

Sound Power Level	71.7 dB (A)	-	-
Sound Pressure Level	at 1 m	at 5 m	at 10 m
	63.7 dB (A)	49.72059991 dB (A)	43.7 dB (A)

Fan Motor

Number	1
Shaft Power	34 W
Air Flow	700 m ³ /h
Blade diameter	300 mm

PERFORMANCE

Rated Points

Ambient Temperature	Cooling Capacity	Power Consumption	Current	Efficiency
32.00°C	1561 W	901 W	1.78 A	1.73 W/W

Test Condition: EN13215_RG20, Return Gas 20 °C, Subcooling 3K , Evaporation -10.00°C, Condensing 0 °C, Ambient 32.00°C

Performance Curve Data

Ambient Temperature 25°C

Evaporating Temperature °C	Cooling Capacity W	Power Consumption W	Current A	Efficiency W/W
-20	1136	678	1.47	1.68
-15	1423	759	1.59	1.87
-10	1752	854	1.74	2.05
-5	2112	960	1.9	2.2
0	2493	1075	2.08	2.32
5	2886	1195	2.25	2.42
10	3282	1320	2.42	2.49

Test Condition: EN13215_RG20, M/HBP

Ambient Temperature 32°C

Evaporating Temperature °C	Cooling Capacity W	Power Consumption W	Current A	Efficiency W/W
-20	974	713	1.52	1.37
-15	1248	799	1.63	1.56
-10	1561	901	1.78	1.73
-5	1903	1016	1.95	1.87
0	2266	1142	2.13	1.98
5	2638	1276	2.32	2.07
10	3010	1417	2.51	2.13

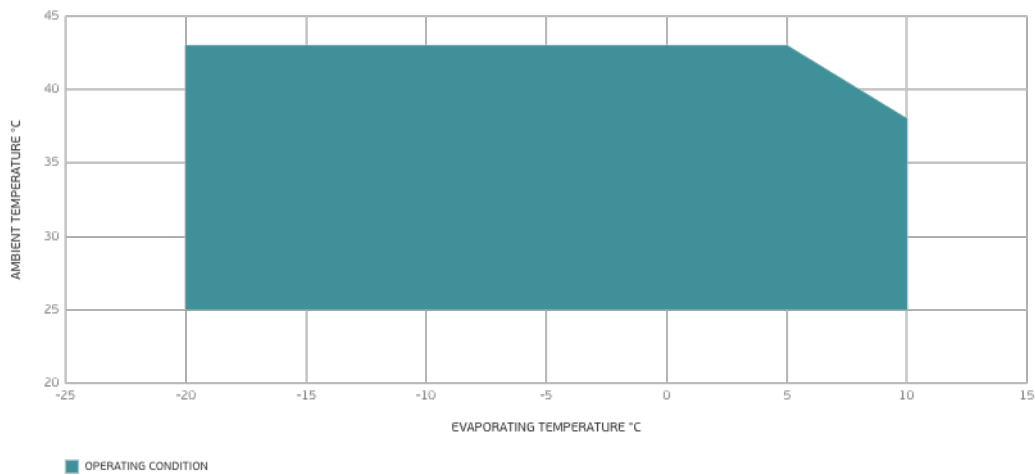
Test Condition: EN13215_RG20, M/HBP

Ambient Temperature 43°C

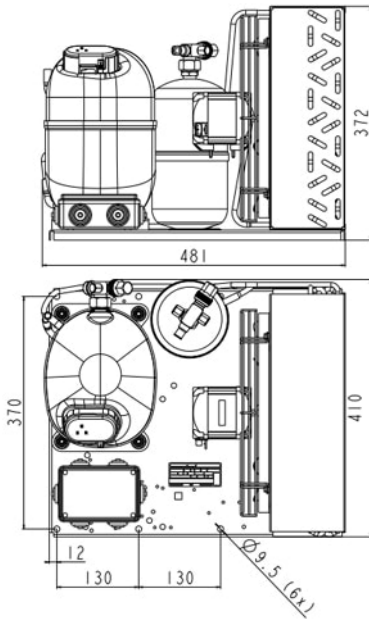
Evaporating Temperature °C	Cooling Capacity W	Power Consumption W	Current A	Efficiency W/W
-20	775	780	1.57	0.99
-15	1022	859	1.68	1.19
-10	1306	957	1.83	1.36
-5	1616	1072	2.01	1.51
0	1944	1201	2.22	1.62
5	2278	1342	2.44	1.7
10	2609	1492	2.67	1.75

Test Condition: EN13215_RG20, M/HBP

Operating Envelope



External Dimensions



Wiring Diagram

