

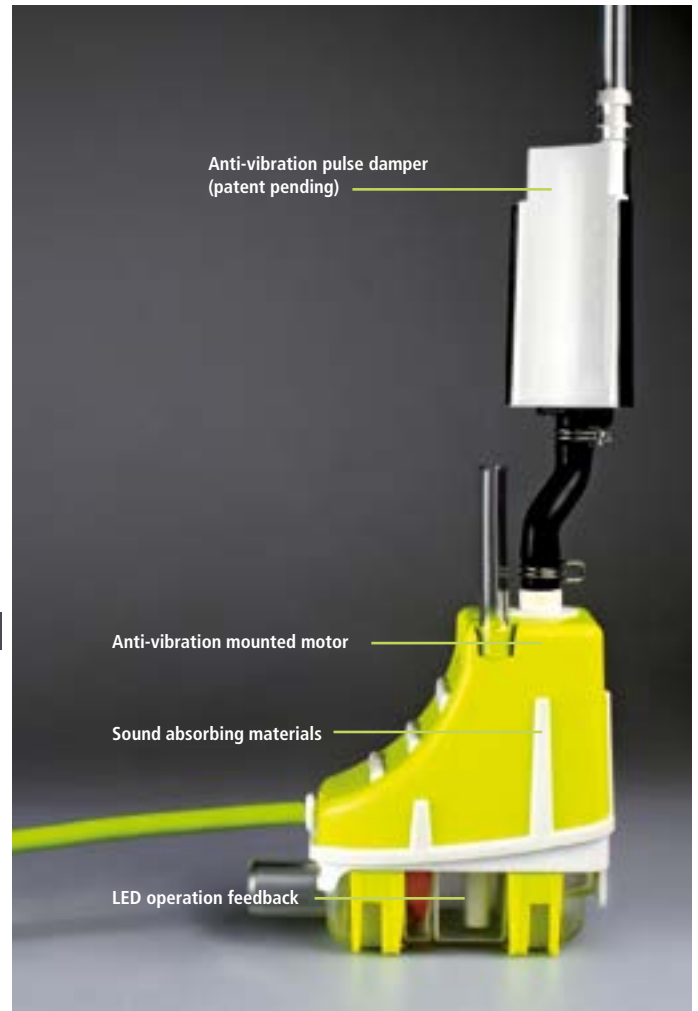


# S+ mini lime<sup>®</sup>

## The next generation Silent+ Mini Lime

### SILENT+ MINI LIME

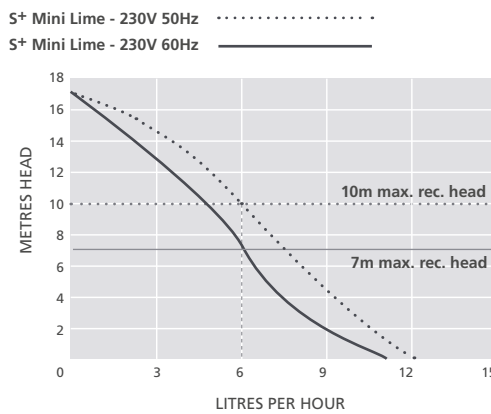
FEATURE	BENEFIT
Soft start function	Only pumps when necessary (reducing motor noise)
Material construction	Built-in sound absorbing materials
Quick release reservoir	Simpler removal for faster maintenance
Touch control	<ul style="list-style-type: none"> <li>• Site specific commissioning</li> <li>• Choose between normally open and normally closed high level safety switch</li> </ul>
LED feedback	Visual operation guide for easy trouble shooting
4 stage filtration	Reduces blockages in the pump



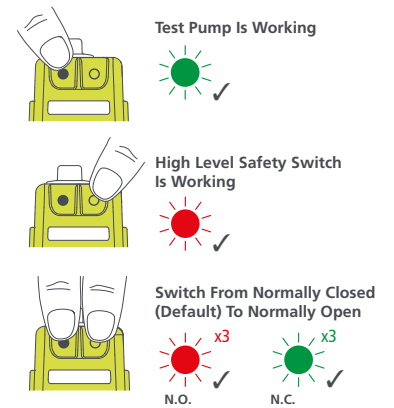
### SPECIFICATION

Max. flow	12L/h @ 0m head
Max. rec. head	10m
dB(A) @ 1m	20*
Power supply	230 VAC, 0.1A, 16W 50/60Hz
Rated	Non continuous
Class	II appliance
Max. unit output	16kW / 54,000Btu/h
Max. ambient water temp	40°C / 104°F
Discharge tube	6mm ID
Safety switch	5.0A N.C. / N.O.**
Thermal protection	✓

### PERFORMANCE GRAPHS: 230V @ 50/60Hz

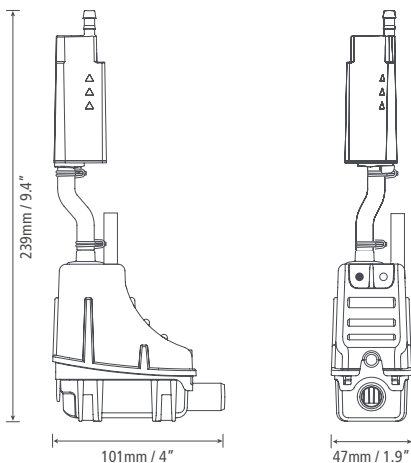


### LED OPERATION SEQUENCES



\*Assuming solid wall construction with a 2kW unit.

\*\* 5.0A volt free with Normally Closed/Normally Open contacts. Default factory set to Normally Closed mode.



### DAMPER POSITION OPTIONS 4 convenient ways to install in trunking:

